

# TRI COUNTY METALS

Make Your Next Roof Your Last



[WWW.TRICOUNTYMETALS.COM](http://WWW.TRICOUNTYMETALS.COM)

# PRODUCT GUIDE

# TRI COUNTY METALS

**TOLL FREE: 877-766-3309**

**TRENTON**

Tel: 352-463-8400

**LIVE OAK**

Tel: 386-330-0101

**OCALA**

Tel: 352-622-5500

**TALLAHASSEE**

Tel: 850-574-4001

**BROOKSVILLE**

Tel: 352-587-8120

**DELAND**

Tel: 386-738-2579

**JACKSONVILLE**

Tel: 904-490-6004

**WINTER HAVEN**

Tel: 863-377-2805

# TABLE OF CONTENTS

Panels .....	Pg. 1-2
Ultra Rib Trim .....	Pg. 3-5
PBR Trim .....	Pg. 6-8
5V Trim .....	Pg. 9-10
TCM-Lok, MS-Lok, SL-Lok, SS-Lok Trims .....	Pg. 11-12
Insulation/ Venting: TCM Radiant barrier, FlexPro, TCM Radiant Barrier Tape, Snap Z .....	Pg. 13
Watts Removal Products .....	Pg. 14
Sealants: Peal and Seal, Foam Closures, TCM Sealant, Expanding Foam, Tacky Tape .....	Pg. 14
Flashings: Roof Boots, Electric Pipe Boot, Touch-Up paint, Gooseneck Vents .....	Pg. 15
Tools: Cutting Snips, Tape Measure, Drives, Shears, Bits .....	Pg. 16-17
Fasteners: Screws, Nails .....	Pg. 18-19
Underlayments/Purlins and Roll-Up Door .....	Pg.20
Order Form .....	Pg. 21



Make Your Next Roof Your Last

# PANELS



26 Ga. Roof Panel over 15/32" Plywood

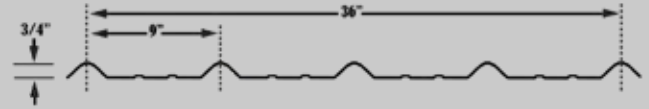
29 Ga. Roof Panel over 15/32" Plywood

Min. 29 Ga. Roof Panel over 1x4 Wood Purlins Screwed over 15/32" Plywood

Min. 29 Ga. Roof Panel over 1x4 Wood Purlins Nailed over 15/32" Plywood

## ULTRA RIB

Available in either 29 Gauge or 26 Gauge.



Min. 29 Ga. Roof Panel over OSB

Min. 29 Ga. Roof Panel over Shingles over 15/32" Plywood

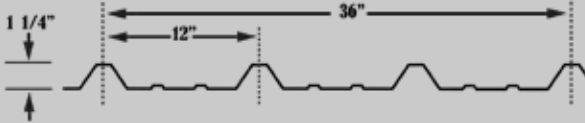
Min. 29 Ga. Roof Panel over 1x4 Wood Fastened Through-the-Rib

Min. 29 Ga. Roof Panel over 5' OC Open Framing Steel Purlin

Min. 29 Ga. Wall Panel over 5' OC Steel Purlin

## PBR

Available in 26 Gauge and 24 Gauge.



Min. 26 Ga. Roof Panel over 15/32" Plywood

Min. 26 Ga. Roof Panel over 1x4 Wood Purlins over 15/32" Plywood

Min. 26 Ga. Roof Panel over 5' OC Open Framing



Min. 26 Ga. Wall Panel over 5' OC Steel Purlin



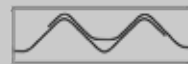
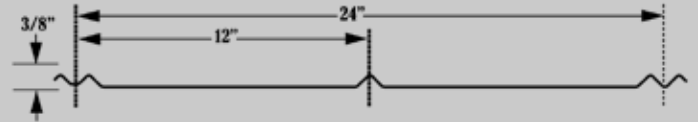
26 Ga., 24 Ga. and .032 Ga. Roof Panel, through fastened, over 15/32" Plywood

26 Ga. Roof Panel over 15/32" Plywood

Min. 26 Ga. 5V Roof Panel over 1x4 Wood Purlins over 15/32" Plywood

## 5V

Available in 26 Gauge, 24 Gauge and .032" Aluminum



Overlap Details

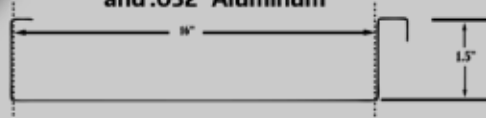
Please see the notes section at the bottom of the next page.

# PANELS



## MS-LOK 1 1/2"

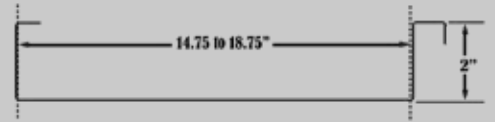
Available in 24 Gauge  
and .032" Aluminum



24 Ga. Roof Panel over 15/32 Plywood  
Coastal Series .032" Aluminum Roof Panel over 15/32 Plywood  
Offered in Flat, Ribbed and Striated  
Requires Clips

## MS-LOK 2"

Available in 24 Gauge (18.75" width)  
and .032" Aluminum (14.75" width)

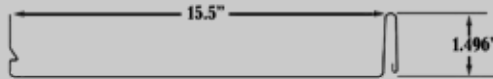


24 Ga. Roof Panel over 15/32 Plywood  
24 Ga. Roof Panel over 22 Ga. Steel Deck  
24 Ga. Roof Panel over 2' / 5' OC Open Framing Steel Purlin  
Coastal Series .032" Aluminum Roof Panel Over 22 Ga. Steel Deck



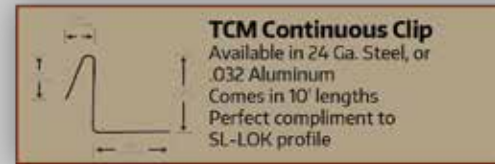
## SL-LOK 1 1/2"

Available in 24 Gauge and .032 Aluminum



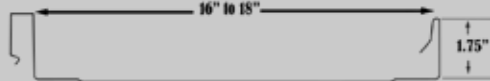
24 Ga. Roof Panel over 15/32" plywood  
Coastal Series .032 Aluminum over Wood Deck

Offered in Flat, Ribbed and Striated  
Requires Clips. Ask about our TCM  
Continuous Clip for this profile.



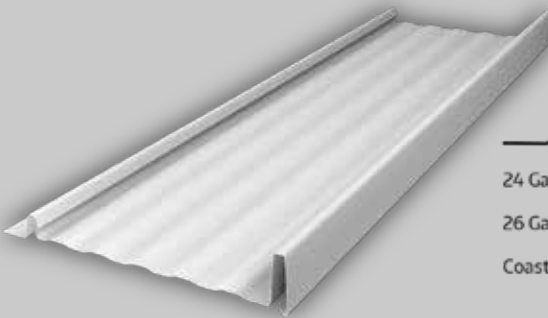
## SS-LOK 1 3/4"

Available in 24 Gauge (18" width)  
and 040" Aluminum (16" width)



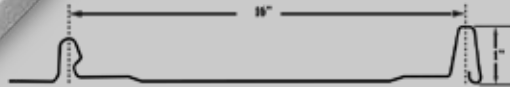
24 Ga. Roof Panel over 15/32 Plywood  
24 Ga. Roof Panel over Steel Deck  
Coastal Series .040" Aluminum Roof Panel over min. 15/32 CDX Plywood

Offered in Flat, Ribbed and Striated  
Requires Clips



## TCM-LOK 1"

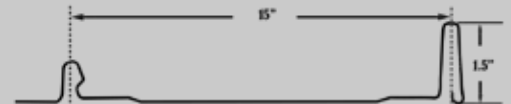
Available in 24 Gauge or 26 Gauge  
and .032" Aluminum



24 Ga. Roof Panel over 15/32" Plywood  
26 Ga. Roof Panel over 15/32" Plywood  
Coastal Series .032" Aluminum Roof Panel over 15/32" Plywood

## TCM-LOK 1 1/2"

Available in 24 Gauge



24 Ga. Roof Panel over 15/32" Plywood  
Offered in Flat, Ribbed and Striated  
Direct to Deck

HVHZ FL Product Approvals are available for all profiles. See our website for details.

The most current product approvals are available on our website at [tricountymetals.com/florida-product-approvals/](http://tricountymetals.com/florida-product-approvals/)

Minimum Slope shall comply with Florida Building Code, including Sections 1507.4.2, greater than .25/12 with recommending sealant under 2/12

Other panel widths available upon request. Site-specific approvals possible. Contact your salesperson for detail

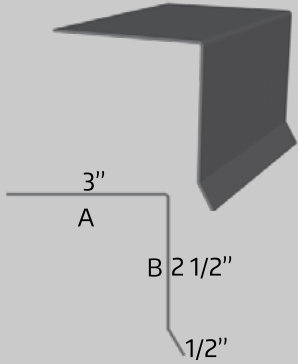


Make Your Next Roof Your Last

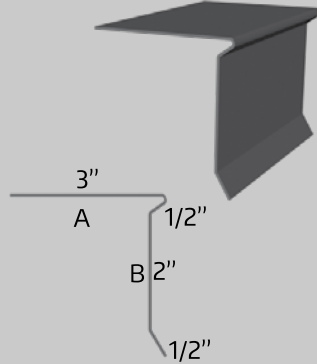
# ULTRA RIB TRIM

Specify Dimension of  
"A" and "B"

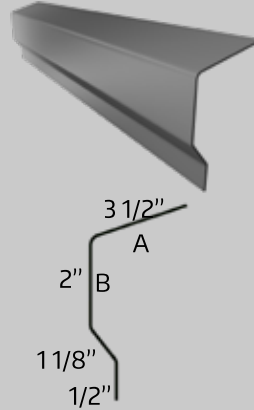
Drip Edge



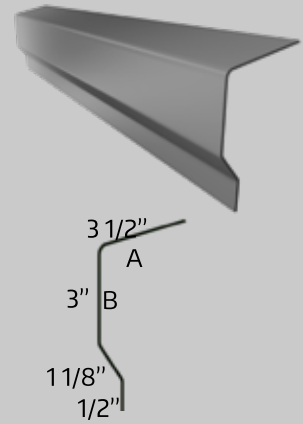
FHA Drip Edge



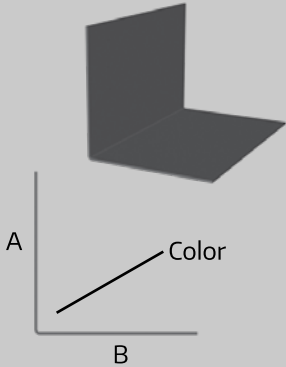
Drip Cover



Drip Cover (with purlins)

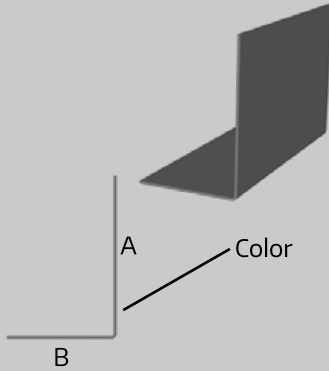


L Flashing



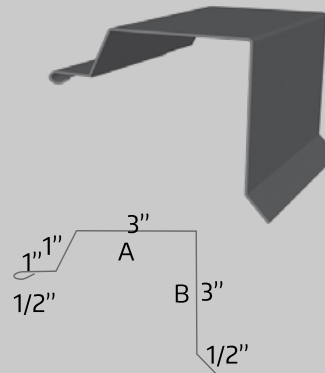
Specify Dimension of  
"A" and "B"

Facia

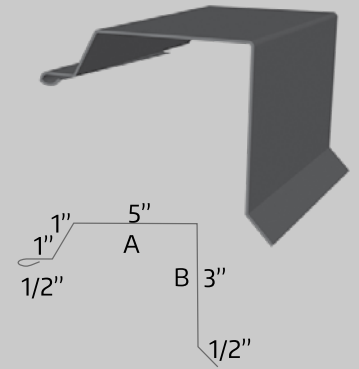


Specify Dimension of  
"A" and "B"

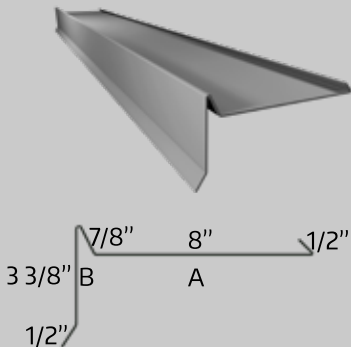
Gable



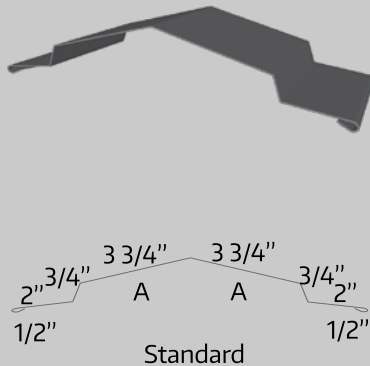
Large Gable Trim



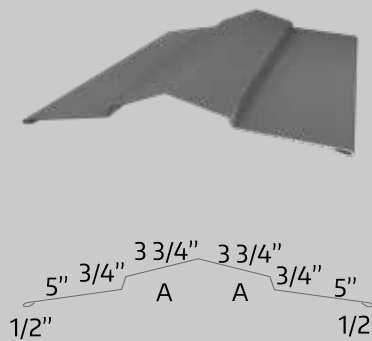
Flying Gable



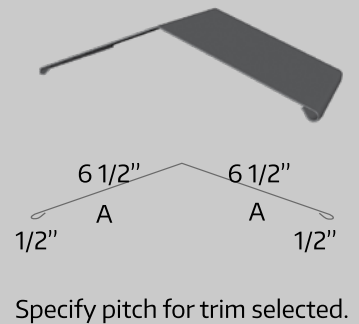
Ridge Cap



Large Ridge Cap



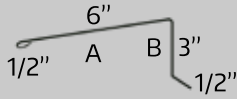
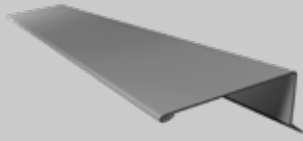
Flat Ridge Cap /  
Hip Cap Flat



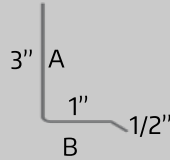
# ULTRA RIB TRIM

Specify Dimension of  
"A" and "B"

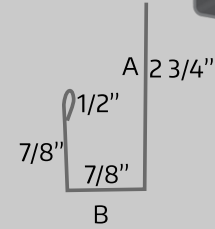
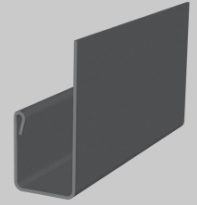
High Side Ridge Cap



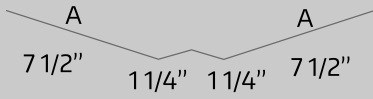
Drip Cap



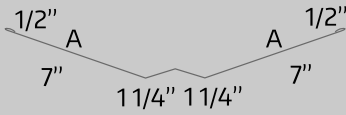
J Channel



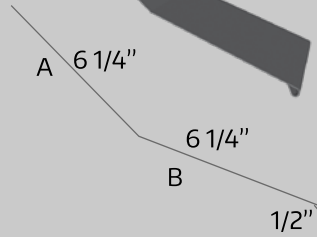
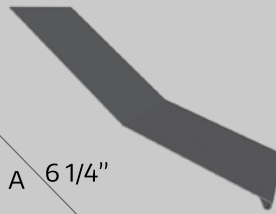
W-Valley



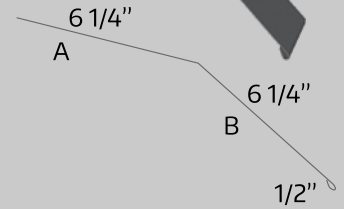
Hemmed W-Valley



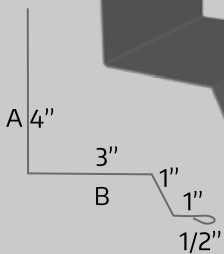
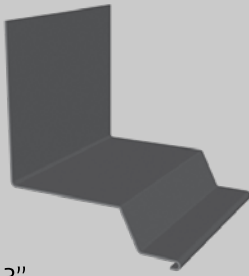
Transition



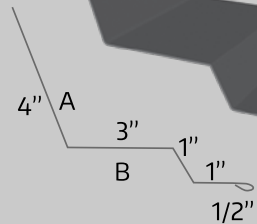
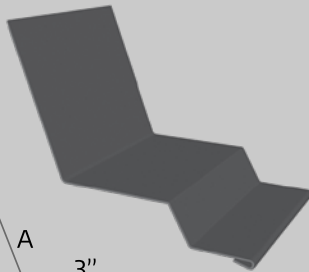
Gambrel



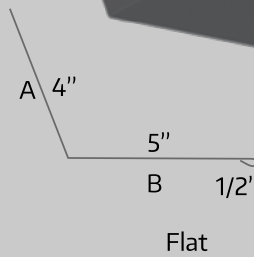
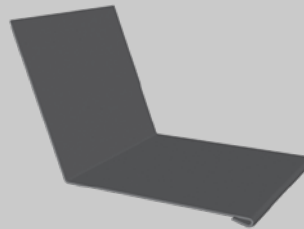
Side Wall



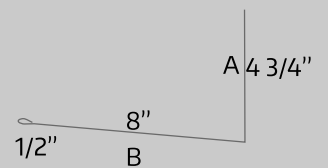
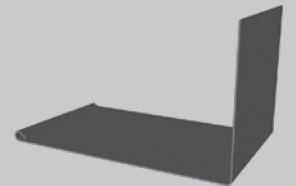
End Wall



Flat End Wall



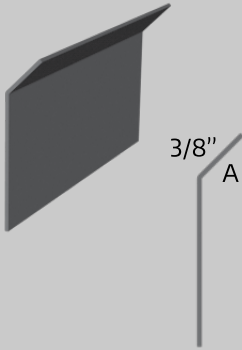
Chimney Flashing



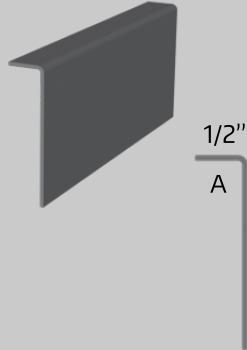
# ULTRA RIB TRIM

Specify Dimension of "A" and "B"

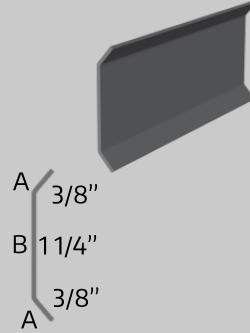
Caulk Edge



Kerf Edge

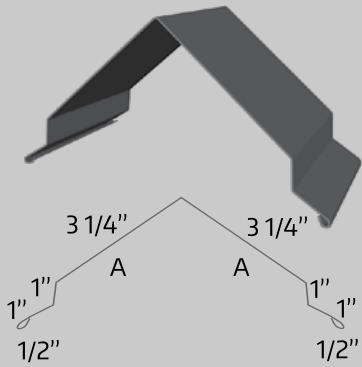


Counter Flashing

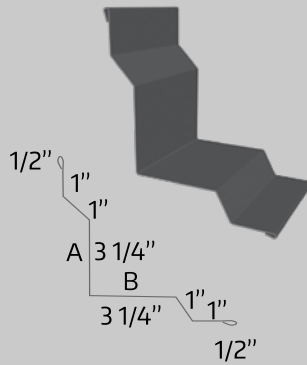


Add a Kerf or Caulk Edge to any End Wall / Side Wall Flashing

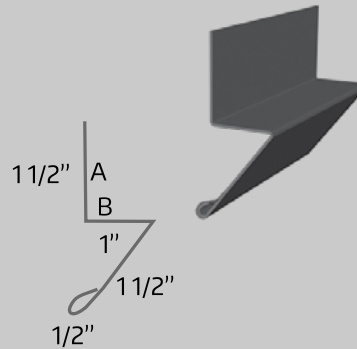
Outside Corner



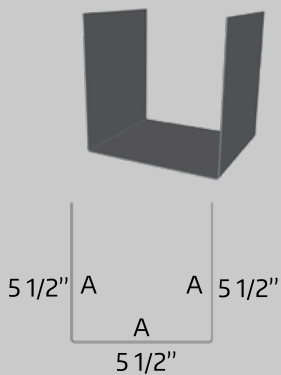
Inside Corner



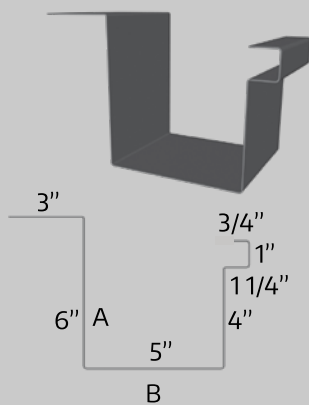
Base Angle



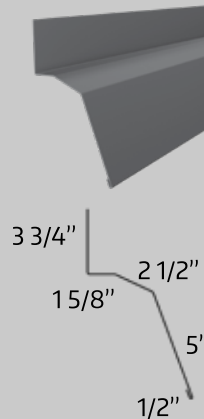
Post Cover



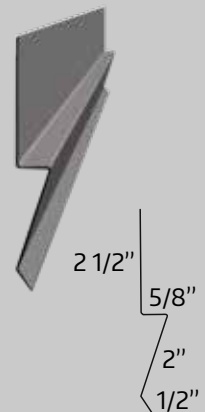
Box Gutter



Sliding Track Cover



Stucco Stop

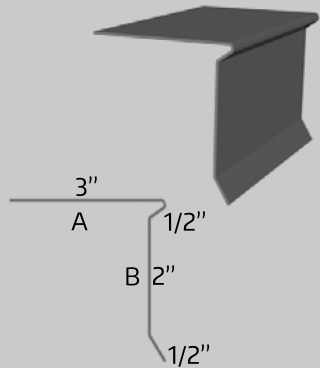
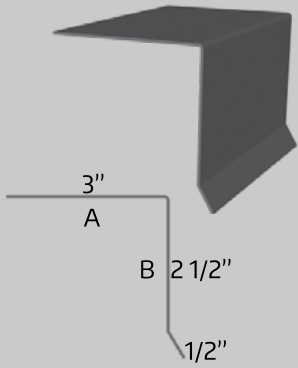




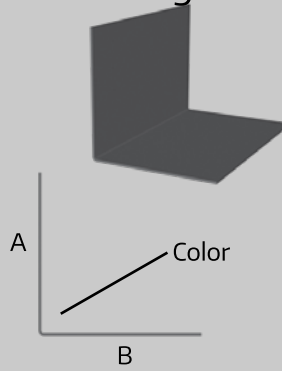
# PBR TRIM

Specify Dimension of "A" and "B"

Drip Edge

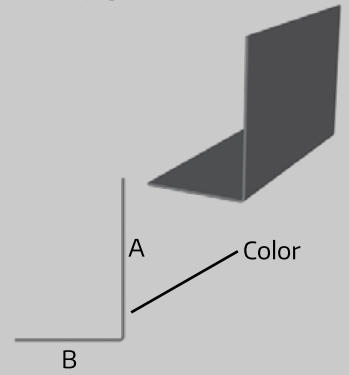


L Flashing



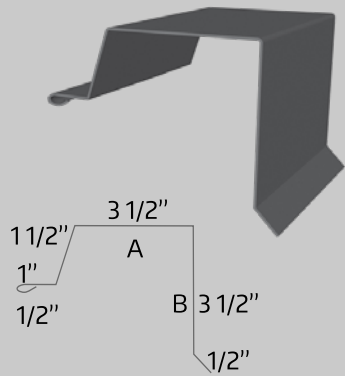
Specify Dimension of "A" and "B"

Facia

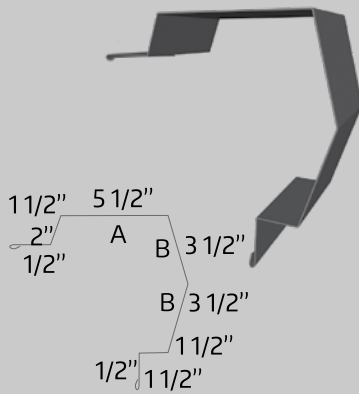


Specify Dimension of "A" and "B"

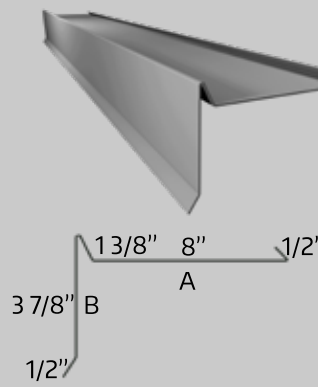
Gable



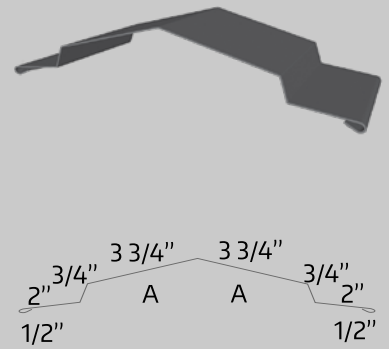
Sculptured Rake



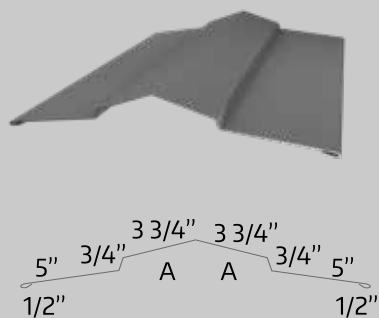
Flying Gable



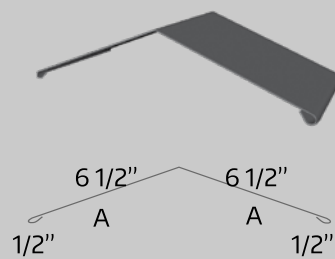
Ridge Cap



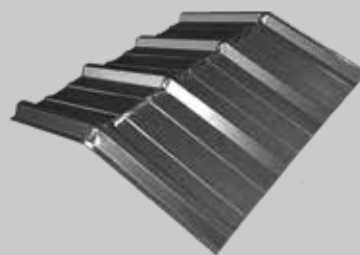
Large Ridge Cap



Flat Ridge Cap / Hip Cap Flat



Die Formed Ridge Cap

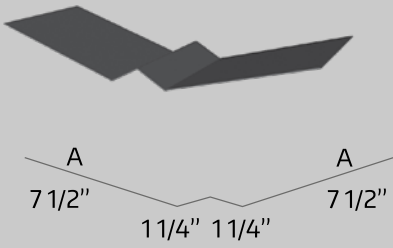


18" Coverage Per Side

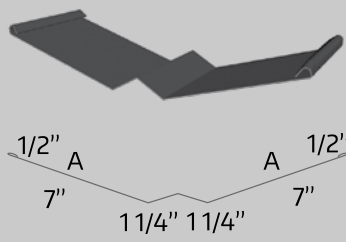
# PBR TRIM

Specify Dimension of "A" and "B"

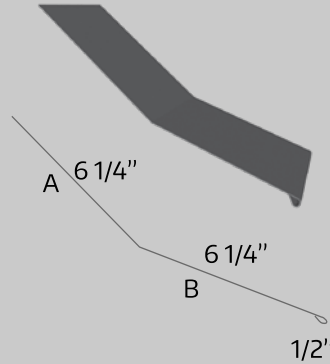
W-Valley



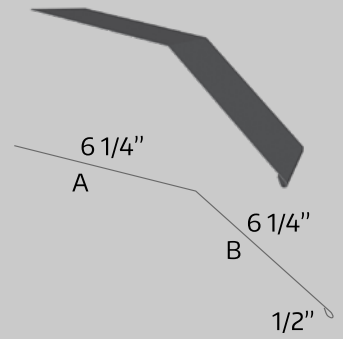
Hemmed W-Valley



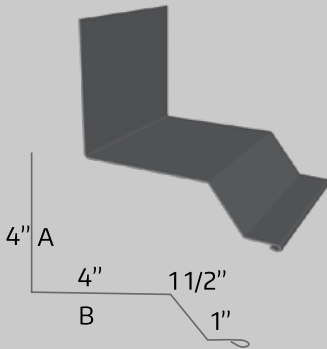
Transition



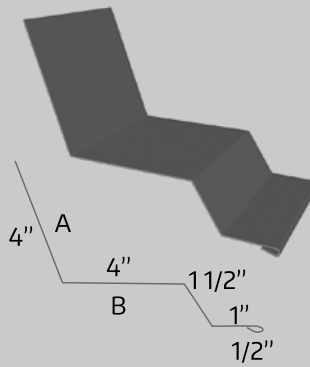
Gambrel



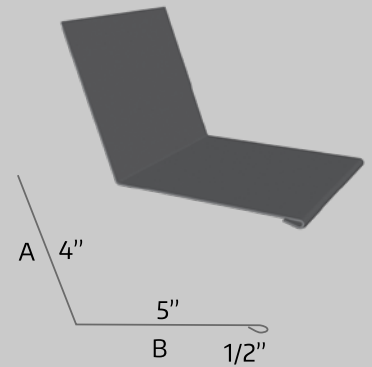
Side Wall



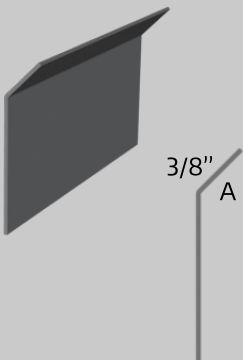
End Wall



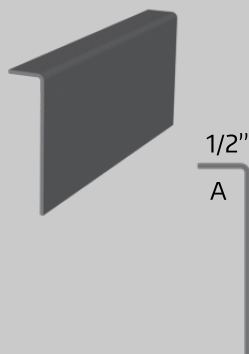
Flat Endwall



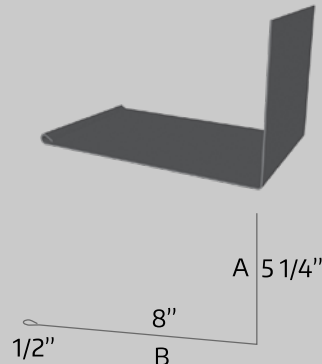
Caulk Edge



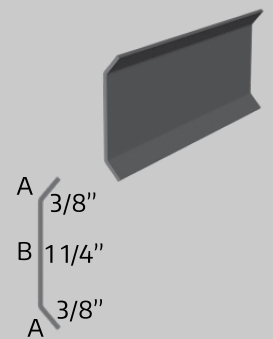
Kerf Edge



Chimney Flashing



Counter Flashing

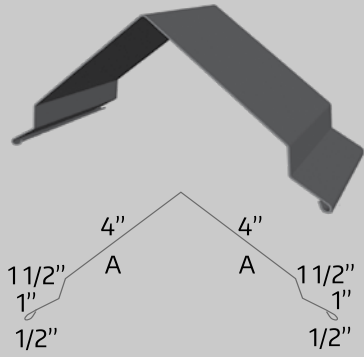


Add a Kerf or Caulk Edge to any End Wall / Side Wall Flashing

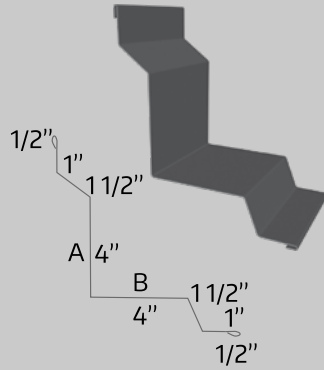
# PBR TRIM

Specify Dimension of "A" and "B"

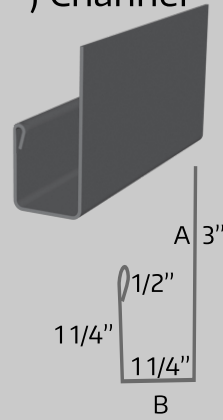
Outside Corner



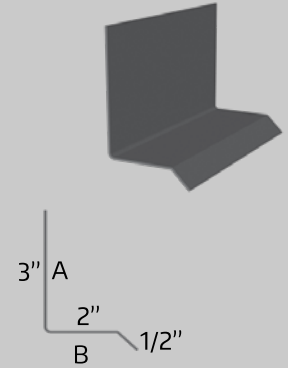
Inside Corner



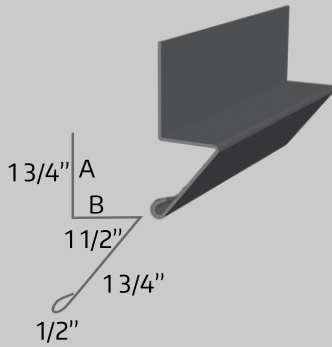
J Channel



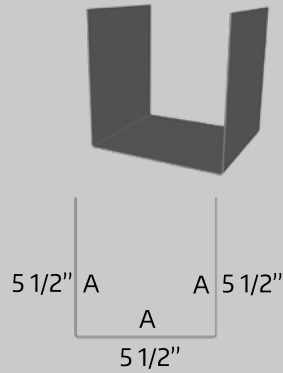
Drip Cap



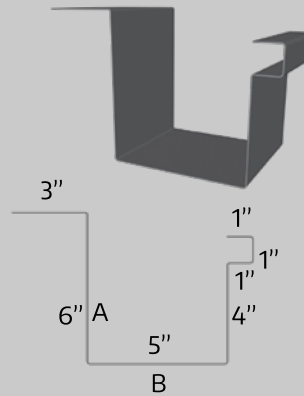
Base Angle



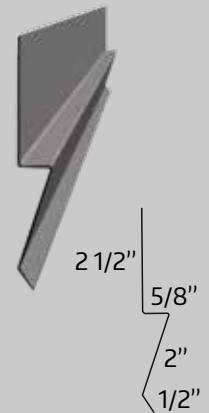
Post Cover



Box Gutter



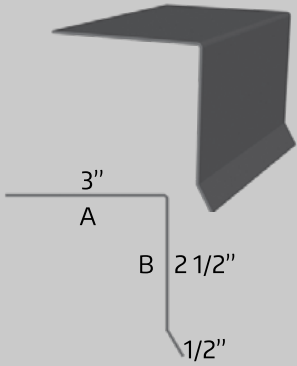
Stucco Stop



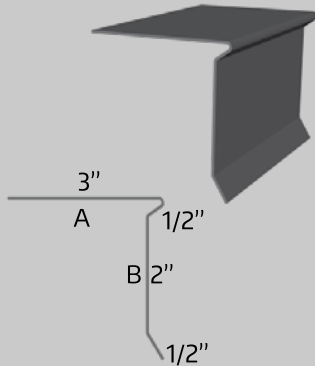
# 5V TRIM

Specify Dimension of "A" and "B"

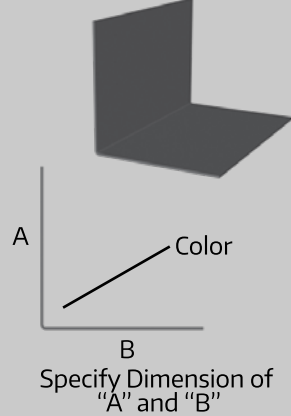
Drip Edge



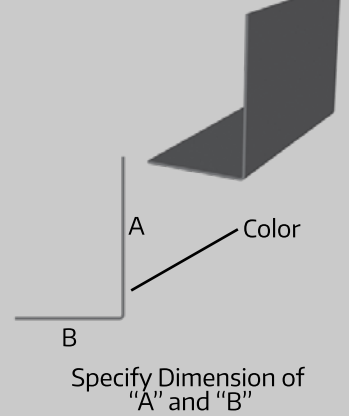
FHA Drip Edge



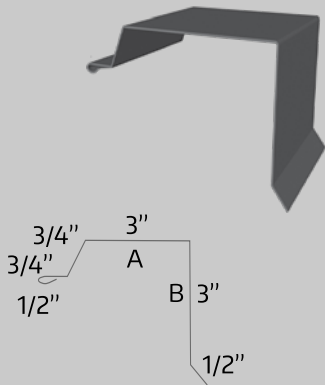
L Flashing



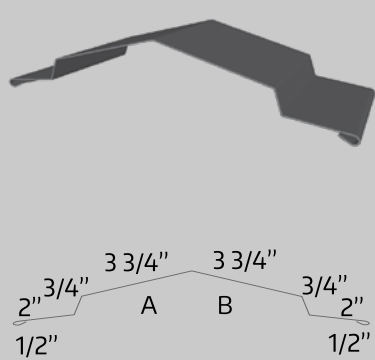
Facia



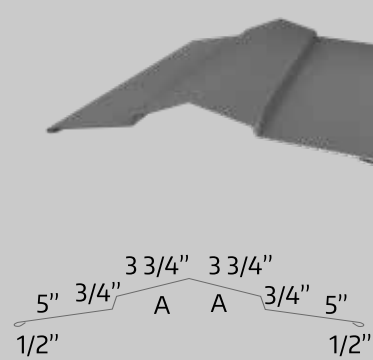
Gable



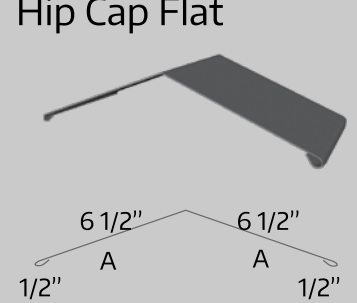
Ridge Cap



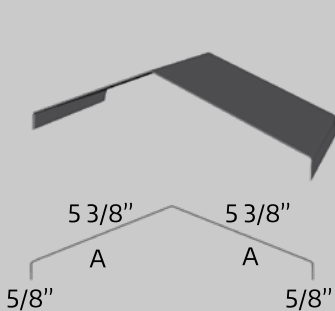
Large Ridge Cap



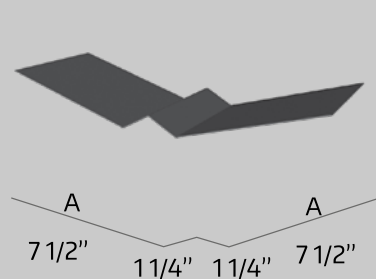
Flat Ridge Cap / Hip Cap Flat



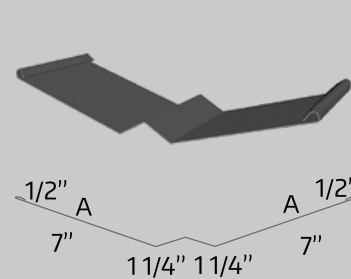
5V Ridge/Hip Cap



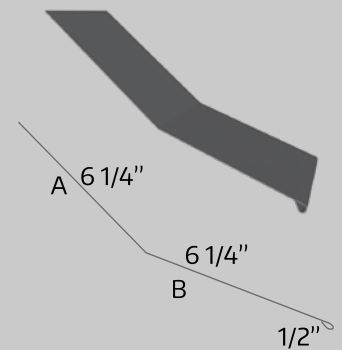
W-Valley



Hemmed W-Valley



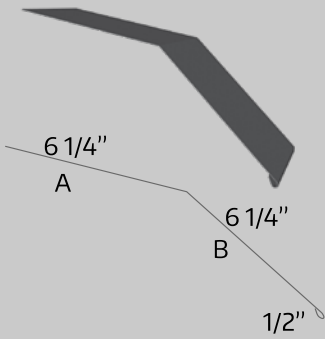
Transition



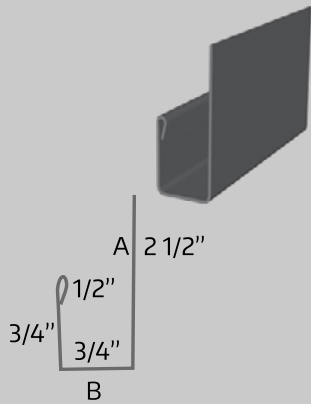
# 5V TRIM

Specify Dimension of "A" and "B"

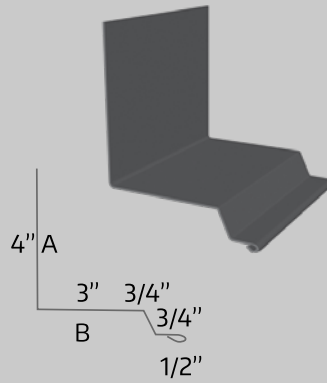
Gambrel



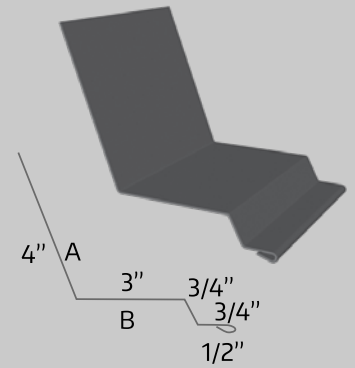
J Channel



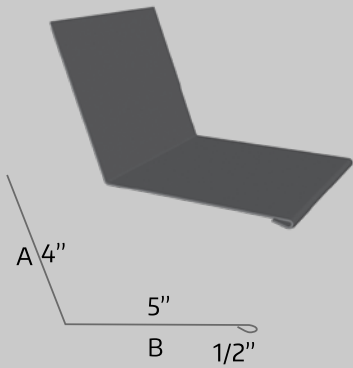
Side Wall



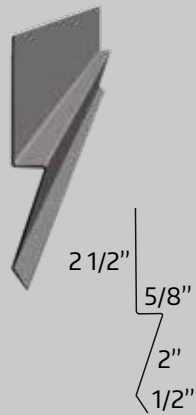
End Wall



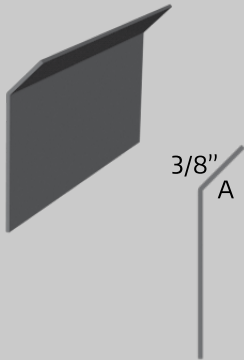
Flat End Wall



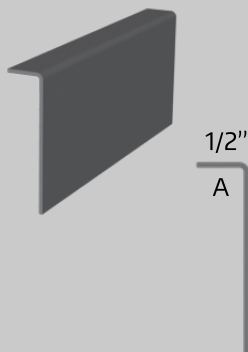
Stucco Stop



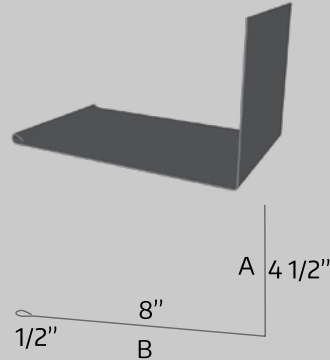
Caulk Edge



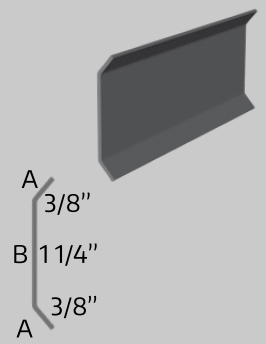
Kerf Edge



Chimney Flashing



Counter Flashing

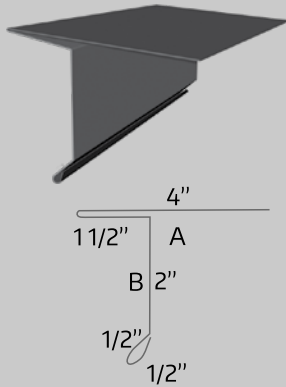


Add a Kerf or Caulk Edge to any End Wall / Side Wall Flashing

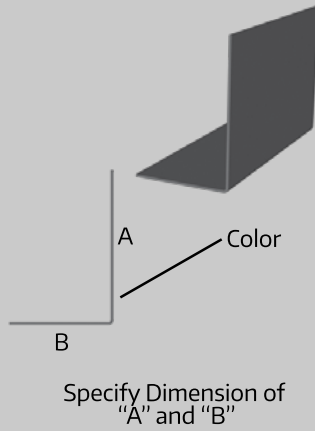
# TCM-LOK, MS-LOK, SL-LOK TRIMS

Specify Dimension of "A" and "B"

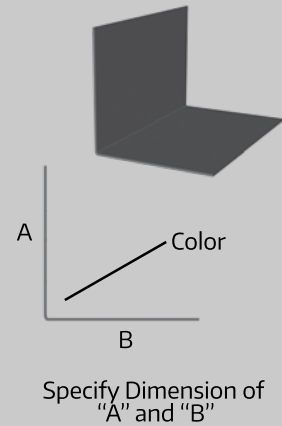
Drip Edge



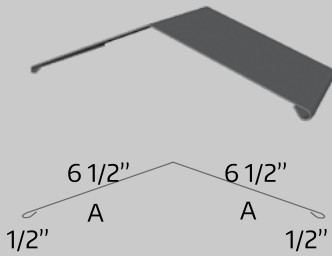
Facia



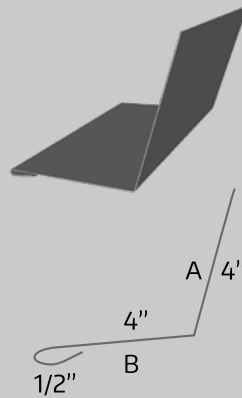
L Flashing



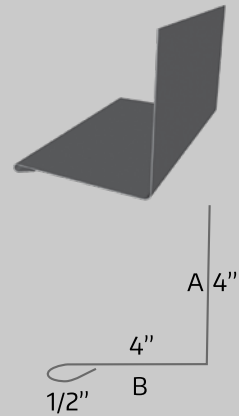
TCM-LOK Flat Ridge Cap / Hip Cap Flat



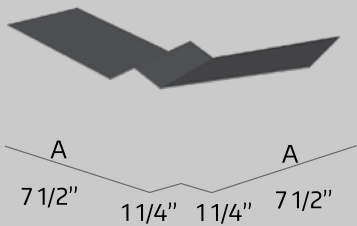
End Wall



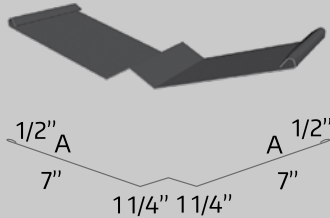
Side Wall



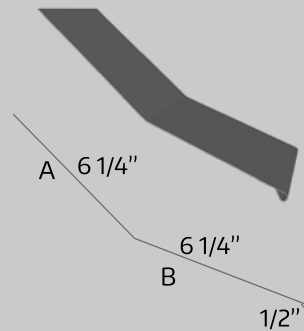
W-Valley



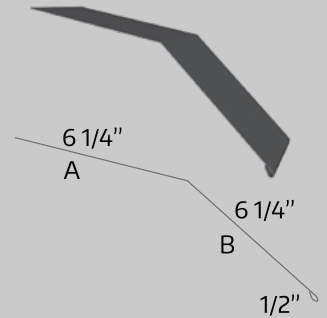
Hemmed W-Valley



Transition



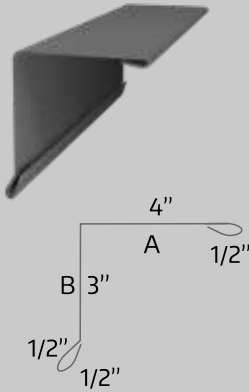
Gambrel



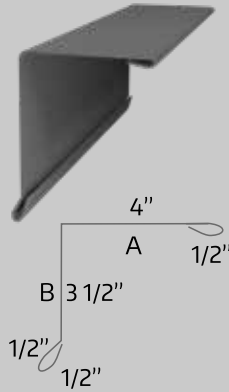
# TCM-LOK, MS-LOK, SL-LOK TRIMS

Specify Dimension of  
"A" and "B"

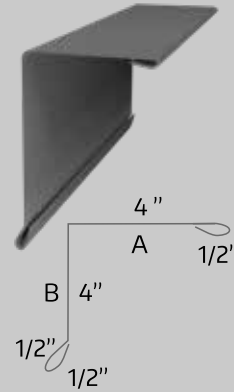
Gable 1"



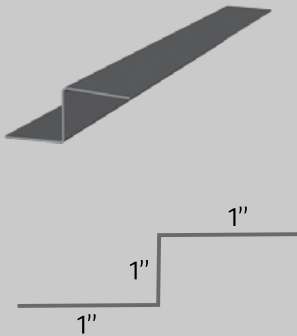
Gable 1 1/2"



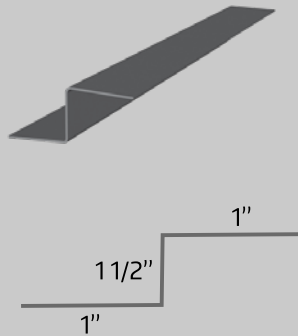
Gable 2"



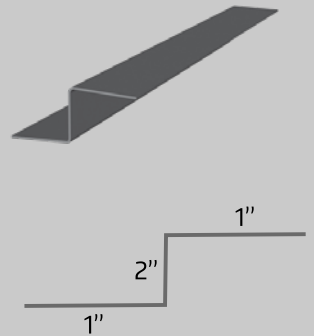
Z Flashing TCM-Lok 1"



Z Flashing TCM-Lok 1 1/2"



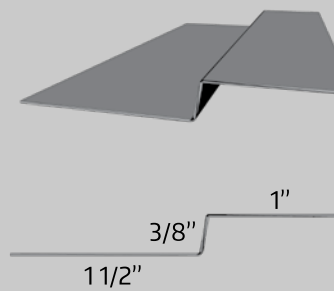
Z Flashing TCM-Lok 2"



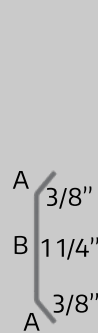
Eave Cleat



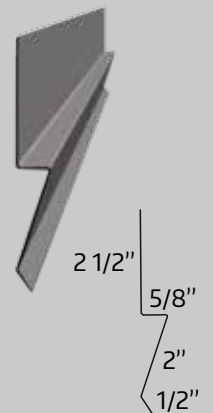
Panel Starter



Counter Flashing



Stucco Stop



# INSULATION/VENTILATION



## TCM Radiant Barrier

Blocks 97% of the leading cause of heat gain in a house  
500 square feet/roll  
Easy to install  
Radiant Barrier Tape is also available for this product.



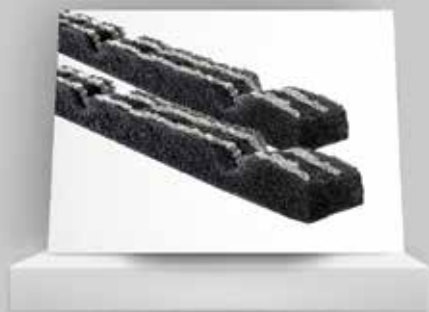
## Flex-O-Vent

Prevents water from blowing underneath the ridgecap while allowing the attic to breathe  
20' Roll



## Profile Vent

Prevents water from blowing underneath the ridgecap while allowing the attic to breathe. 20' Roll



## Flex Pro

Venting Material Die Cut to fit Panel Type  
Use with: Ultra Rib, PBR and 5V.



## Snap Z Ridge Venting System for Standing Seam

Roof vent designed to fit between the ribs of standing seam roof panels. Three models based on rib height: Snap-Z 1000 for 1" Rib Height, SnapZ-1500 for 1.5" Rib Height, SnapZ-2000 for 2" Rib Height, Alum 1".



## Attic Breeze Solar Fan

Attic Breeze CMA and CMD model solar attic fans offer a curb-mount flashing base for roofs featuring metal roof installations where a roof curb may be appropriate.



# WATTS REMOVAL PRODUCTS



## Metal Roof Maintenance Kit, Cleansweep, Cleansweep, Wipes, Crossover

For use on bare, coated and painted metal surfaces, the Watts Removal Metal Maintenance sample kit an ideal sample package to try out the full line of Watts Removal Products for metal roofing.

# SEALANTS



### Peel and Seal

6" rolls by 33 1/3'  
Seals panels under Hip Caps



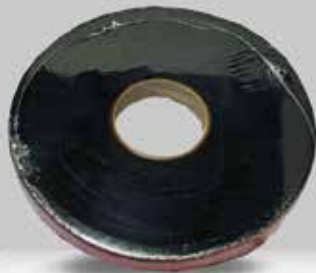
### Foam Closures

Die Cut to fit Panel Type  
Use with: Ultra Rib, PBR  
and 5V. Stock both  
Outside and Inside Closures



### Tacky Tape

1/2" x 50' and 3/4" x 50' rolls available  
Seals laps and trim to roof seams  
Required on slopes less than 3/12



### Expanding Foam

Expands to 1" x 1" and 1.5" x 20'  
Use along W-Valley



### TCM Sealant

Tube fits standard caulking gun  
Adhesive/Sealant  
UV Resistant  
Available in panel colors or clear  
10.3 oz tube

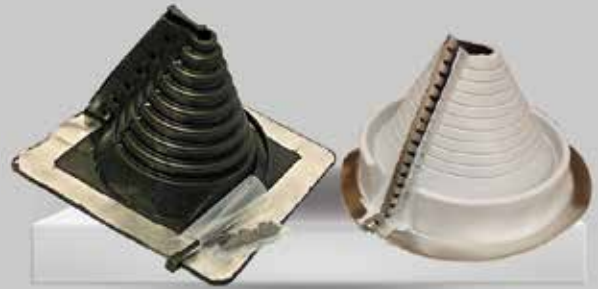
# FLASHINGS



## Roof Boots

Used to seal around plumbing pipes  
Available in temperature ranges  
-65° to 250° or -100° to +450°

Sizes: #3: 1/4" - 5"  
#4: 5" - 6.75"  
#5: 4 1/4" - 7 1/2"  
#7: 6" - 11"  
#9: 9" - 19"



## Electric Pipe Boot

Used where electric poles  
penetrate the roof



## Touch-Up Paint Pens

Used on metal for scratches, marks,  
end cuts, panel edges on valleys  
Matches the metal colors



## Gooseneck Vents

4", 6" and 10" Vents



## Spray Paint

6 oz.

Not to be used on panels or trim.  
Used for roof boots and vents

# TOOLS



## Midwest Cutting Snips

Lasts longer than other tin snips.  
Makes cutting easier with sharper blades and stronger spring action



## Tape Measure

1" x 30'

Measures to the 16th of an inch



## Star Drive

T25 Drive

Used for fastening purlin screws



## Rivet tool

Available for purchase at all locations



## 6" Hand Seamer

Use: Bending and Crimping



## 3" Hand Seamer

Use: Bending and Crimping



## MS 2 Single Lock Seamer

Use: Bending and Crimping



## MS 1.5 Single Lock Seamer

Use: Bending and Crimping



## Ms 1.5 Double Lock Seamer

Use: Bending and Crimping

# TOOLS



## MS W Double Lock Seamer

Use: Bending and Crimping



## Standing Seam Folding Tool

Bends metal up to 1 1/2" deep and 15.25" long

Use: Standing seam panel ends

Also available in a 24" double handle version



## Turbo Shears CM

Hands free cutting of roofing panels and trim

Cuts up to 18 gauge metal

Attach to minimum 14.4 volt drill



## Turbo Shears

Cuts up to 20 gauge metal

Attach to minimum 14.4 volt drill



## Stinger CN100 Cap Nailer

Best practice for securing synthetic underlayments.

10 Times faster than hand drive tools

Easy to use, weighs only 5 lbs

## Drill Bits

3/16" Double Sided. Used for Pre-drilling panels prior to screwing



## Spring Bit

1/4", 5/16" used for installing fasteners

# FASTENERS



## Woodgrip Screw

Metal to Wood  
#9 x 1", 1.5", 2" Lengths  
1/4" Head - Matches panel colors  
250 screws/bag



## Woodgrip XG

Shank - #12 x 1.5" or 2" Lengths  
1/4" Head  
Matches panel colors  
250 screws/bag



## Woodbinder

Metal to Wood - #9 x 1.5" or 2" Lengths,  
Stainless steel Cap  
Head - Micro drill tip  
Matches panel color - 250 screws/bag



## Tek Screw

Metal to Metal  
#12 x 1.25" long, 5/16" Head,  
Matches panel colors  
250 screws/bag



## Lap Screw

For Sidelaps and trim, metal to metal  
#14 x 7/8" long - 5/16" Head  
Matches panel colors  
250 screws/bag



## WoodZac

Lifetime Warranty  
#10 x 1.5" or 2" Lengths, 5/16" Head  
Matches panel colors  
250 screws/bag



## Zac Lap

Lifetime Warranty - #14 x 7/8" long  
5/16" Head - Matches panel colors  
250 screws/bag



## Zac XG

Lifetime Warranty  
#12 x 1.5" or 2" Lengths  
5/16" Head - Matches panel colors  
250 screws/bag

# FASTENERS



## Pancake Fasteners

Pancake Fasteners  
#10 x 1" long, 1.5", or 2" - 250/bag



## Purlin Screw

#9 x 3" Lifetime Screw  
Star Drive  
Used for attaching 1 x 4's to roof  
2000 per box



## Pancake Low Profile

#12 x 1" long  
Used for Standing Seam  
Panels or Clips



## Trim Nails

1lb box  
Flat Head, 1-1/4" long  
Used for fastening drip edge



## Collated and Stick

(for Purlins)  
Each item is 2 7/8" length and comes  
in 5,000 qty



## Underlayment Nails

1 1/4" (2000 per box)



## Rivets

1/8" Stainless and Painted  
Stainless Rivets - 100/bag



## Stinger Nail Drum

Electro Galvanized 1" NailPac for use  
with the STINGER CN100B or  
CN100 only

# UNDERLAYMENTS, PURLINS AND DOORS



**Peel and Stick**  
2 Square Roll  
36" wide x 66.8' long  
High Temp, 90 day Exposure  
and 10 year warranty



**Synthetic HT Underlayment**  
100% Synthetic Material  
10 Square Roll  
25 Year Warranty to Shed Water  
6 month UV Resistant



**1 x 4 x 12 SYP Wood Purlins**  
Used for roof-overs



**Roll-Up Door**  
Order any Size You Need  
Many Colors to Choose From  
Many Options Can be Added  
7-14 Day Lead Time  
Perfect for Workshops, Barns and Sheds



Please select:

Quote Request

Order

Name: \_\_\_\_\_ Phone: \_\_\_\_\_  
 Address: \_\_\_\_\_  
 Email: \_\_\_\_\_ Job Name: \_\_\_\_\_  
 Pickup Location: \_\_\_\_\_  
 Delivery Location: \_\_\_\_\_

<input type="checkbox"/> 5V Gauge: _____ Color: _____	<input type="checkbox"/> Ultra-Rib Gauge: _____ Color: _____	<input type="checkbox"/> PBR Gauge: _____ Color: _____
<input type="checkbox"/> TCM-Lok Gauge: _____ Color: _____	<input type="checkbox"/> SL-Lok Gauge: _____ Color: _____	<input type="checkbox"/> MS-Lok Gauge: _____ Color: _____

**Panels**

Enter Panel Sizes		
Quantity	Feet	Inches

INSULATION/VENTILATION	QTY
TCM Radiant Barrier	
TCM Radiant Tape	
FlexPro	
Snap Z	

TRIM	QTY
Drip Edge	
Ridge Cap	
Flat Ridge Cap	
Hip Cap	
Gable Rake	
W-Valley	
Sidewall	
Endwall	
Flat Endwall	
Transition Flashing	
Chimney Flashing	
Panel Starter	
Z-Flashing	
Eave Cleat	

SEALANTS	QTY
Peel and Seal	
TCM Sealant	
Expanding Foam	
Butyl	
Inside Closures	
Outside Closures	

UNDERLAYMENTS/PURLINS	QTY
Ultra HT Wind & Water	
Synthetic HT Underlayment	
1 x 4 x 12 SYP	

**Notes:**  
 \_\_\_\_\_  
 \_\_\_\_\_  
 \_\_\_\_\_

FASTENERS	Woodgrip Screw QTY	Wood Binder QTY	WoodZac QTY	Woodgrip XG QTY
1"				
1 1/2"				
2"				
Pancakes				
Tek Screws				
Lap Screws				

FLASHINGS	QTY Standard	QTY High Temp
<b>RoofBoots</b>		
#3: 1/4" - 5" Color:		
#4: 5" - 6.75"		
#5: 4 1/4" - 7 1/2"		
#7: 6"-11"		
#9: 9" - 19"		
Electric Pipe Boot		
Touch-Up Paint Pen		
Spray Paint		
Gooseneck Vents		

FASTENERS	QTY
Stainless Rivets	
Painted Rivets	
Purlin Screws #9 x 3"	
Collated Nails	
Stick Nails	
Trim Nails 1-1/4"	
Felt Nails 1 1/4"	
Stinger Nails	

Please sketch out your trim and include clear dimension measurements, pitch needed / degrees of each angle needed, and an arrow to help the fabricator know on what side the paint color needs to be oriented.  
**Specialty Trim 1** (attach drawing or draw in box)  
**Specialty Trim 2** (attach drawing or draw in box)

QTY: \_\_\_\_ Ga: \_\_\_\_ Color: \_\_\_\_\_ Stretched Out: \_\_\_\_

QTY: \_\_\_\_ Ga: \_\_\_\_ Color: \_\_\_\_\_ Stretched Out: \_\_\_\_